

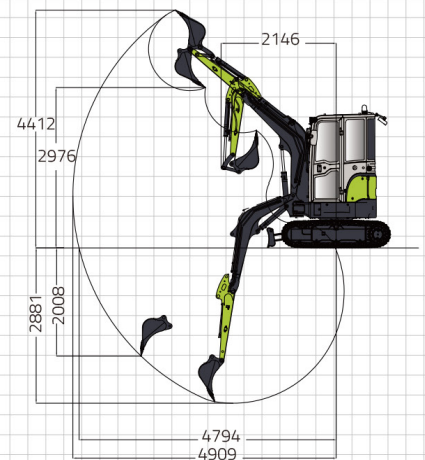
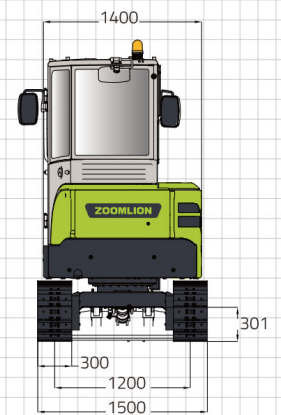
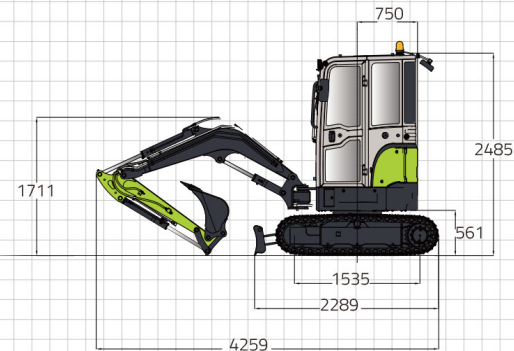
CRAWLER EXCAVATOR ZE26GU



ZOOMLION

CRAWLER EXCAVATOR ZE26GU

	Items	Units	ZE26GU
Basic Technical Data	Operating Weight	kg	2750
	Standard bucket capacity	m ³	0.08
	Slewing Speed	r/min	10
	Traveling Speed(high/low)	km/h	4.5/2.6
	Digging Force of Bucket	kN	23.5
	Digging Force of Stick	kN	13.84
Engine	Engine Manufacturer	-	Kubota
	Engine Model	-	D1105
	Rated Power	kW/rpm	15.6/2400
	Displacement	L	1.123
	Emission Standard	-	EU Stage V/Tier 4
Dimensions	Length	mm	4259
	Width	mm	1500
	Height	mm	2485
	Tail Slewing Radius	mm	750
	Track Gauge	mm	1200
	Length of Track On Ground	mm	1535
Operating Range	Max. Digging Radius	mm	4909
	Max. Digging Reach	mm	4794
	Max. Digging Depth	mm	2881
	Max. Digging Height	mm	4412
	Max. Dumping Height	mm	2976



L&W EQUIPMENT
GROUP LIMITED

Phone: 0212737369

Email: info@lw-equipment.com

Website: <https://www.lw-equipment.com/>

Address: 5A Spedding Road, Whenuapai, Auckland