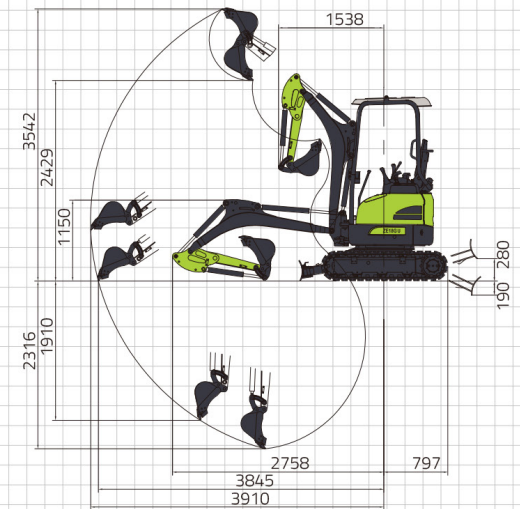
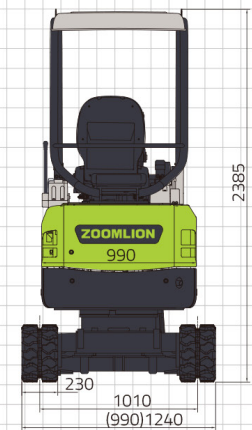
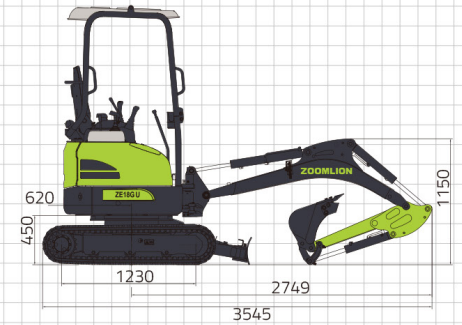


CRAWLER EXCAVATOR ZE18GU

	Items	Units	ZE18GU
Basic Technical Data	Operating Weight	kg	1800
	Standard bucket capacity	m ³	0.04
	Slewing Speed	r/min	10
	Traveling Speed(high/low)	km/h	3.8/2.2
	Digging Force of Bucket(ISO)	kN	17
	Digging Force of Stick(ISO)	kN	10
Engine	Engine Manufacturer	-	Kubota
	Engine Model	-	D902
	Rated Power	kW/rpm	11.8/2300
	Displacement	L	0.898
	Emission Standard	-	EU Stage V/Tier 4
Dimensions	Length	mm	3545
	Width	mm	990-1240
	Height	mm	2385
	Tail Slewing Radius	mm	620
	Track Gauge	mm	760-1010
	Length of Track On Ground	mm	1230
Operating Range	Max. Digging Radius	mm	3910
	Max. Digging Reach	mm	3845
	Max. Digging Depth	mm	2316
	Max. Digging Height	mm	3542
	Max. Dumping Height	mm	2429



L&W EQUIPMENT
GROUP LIMITED

Phone: 0212737369

Email: info@lw-equipment.com

Website: <https://www.lw-equipment.com/>

Address: 5A Spedding Road, Whenuapai, Auckland